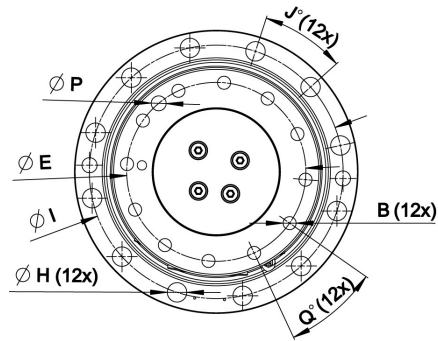
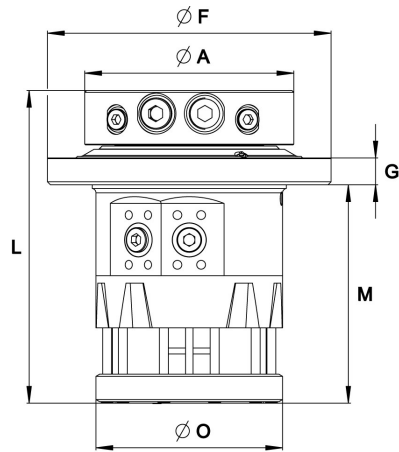
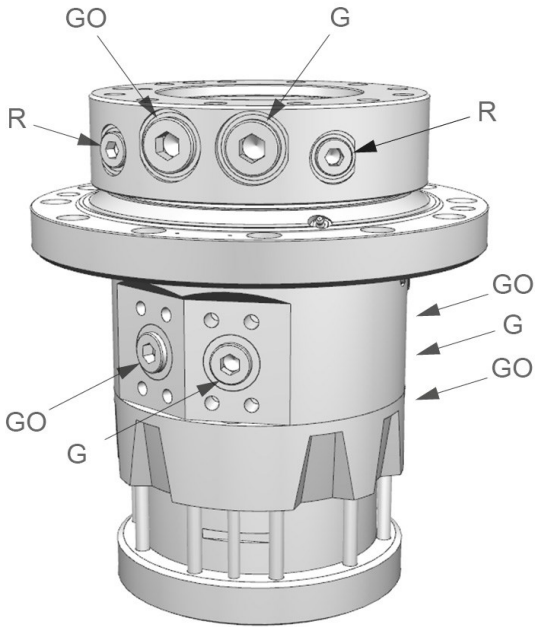


IR 22

Part No.: 8000714



Upper		Lower				
G GO: 1 5/16"-12 UNF	R: 7/8"-14 UNF	G: 1 1/16"-12 UNF / SAE 6000 DN 32	G: 1 1/16"-12 UNF / SAE 6000 DN 32	GO: 1 1/16"-12 UNF / SAE 6000 DN 32	GO: 1 1/16"-12 UNF / SAE 6000 DN 32	GO: 1 1/16"-12 UNF

A: Ø280 mm	B: M20	E: Ø240 mm	F: Ø380 mm	G: 36 mm	H: Ø26 mm	I: Ø340 mm	J: 30°	L: 420 mm	M: 293 mm	O: Ø250 mm	P: Ø20 mm	Q: 30°
---------------	-----------	---------------	---------------	-------------	--------------	---------------	-----------	--------------	--------------	---------------	--------------	-----------

148 kg	360°	±450 kN	±150 kN	4100 Nm	35 l/min	25 MPa	35 MPa	35 MPa	35 MPa

Pressure limiting valves fitted in the motor.

For further technical information relating to integration and hydraulic connections, please contact rotator@indexator.com