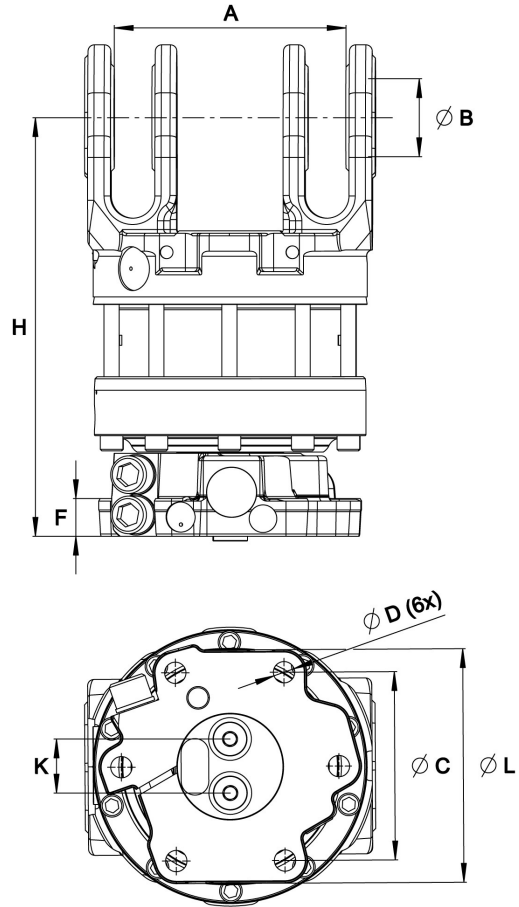
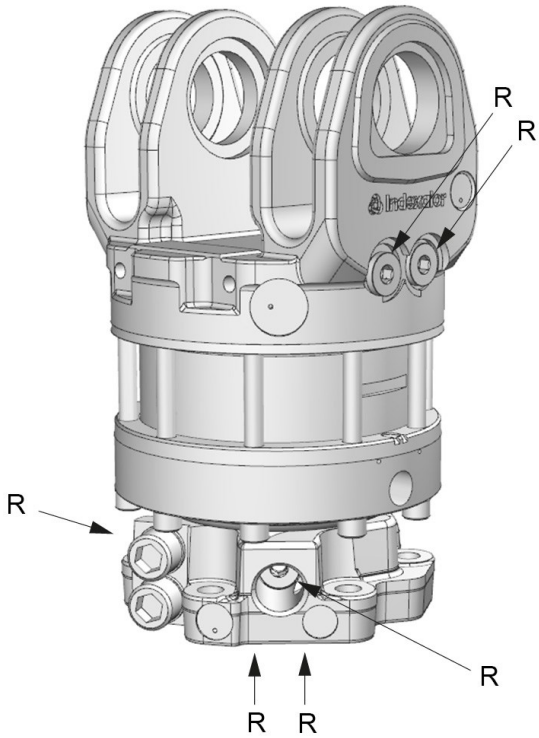


# H 122

Part No.: 7212096



Upper connection	Lower connection
G 1/2	G 1/2

A: MPB2	B: MPB	C: Ø173 mm	D: Ø17 mm	F: 30 mm	H: 333 mm	K: 43 mm	L: Ø209 mm
------------	-----------	---------------	--------------	-------------	--------------	-------------	---------------

						
56.7 kg	360°	100 kN	50 kN	2200 Nm	25 l/min	25 MPa

Rotator suitable for MPB swing dampers.

Adapter sets are available for alternative connections.

For further technical information relating to integration and hydraulic connections, please contact [rotator@indexator.com](mailto:rotator@indexator.com)