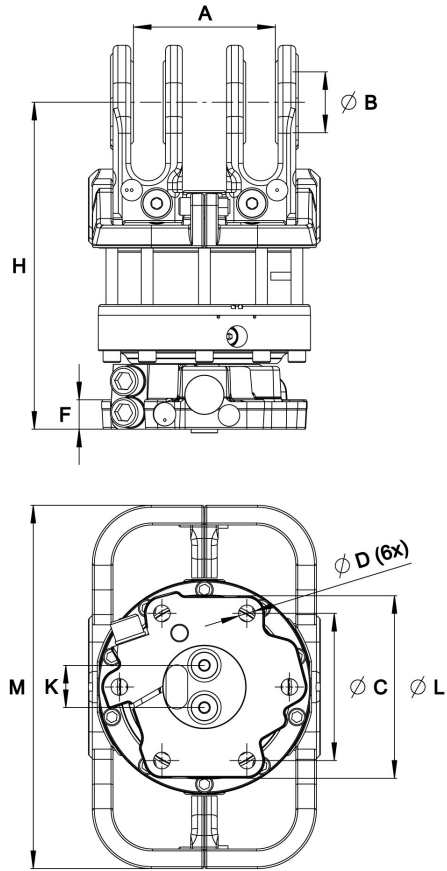
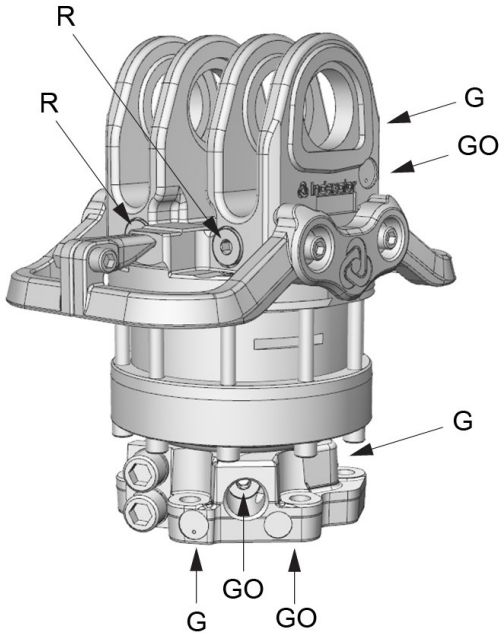


G 121-2

Part No.: 7212106



Upper connection	Lower connection
G 1/2	G 1/2

A: MPB1	B: MPB	C: Ø173 mm	D: Ø17 mm	F: 30 mm	H: 333 mm	K: 43 mm	L: Ø209 mm	M: 370 mm
------------	-----------	---------------	--------------	-------------	--------------	-------------	---------------	--------------

		Max 	Max 		Max 	Max 	Max 	Max
59.3 kg	360°	100 kN	50 kN	2200 Nm	25 l/min	25 MPa	25 MPa	25 MPa

Rotator suitable for MPB swing dampers.

Adapter sets are available for alternative connections.

For further technical information relating to integration and hydraulic connections, please contact rotator@indexator.com